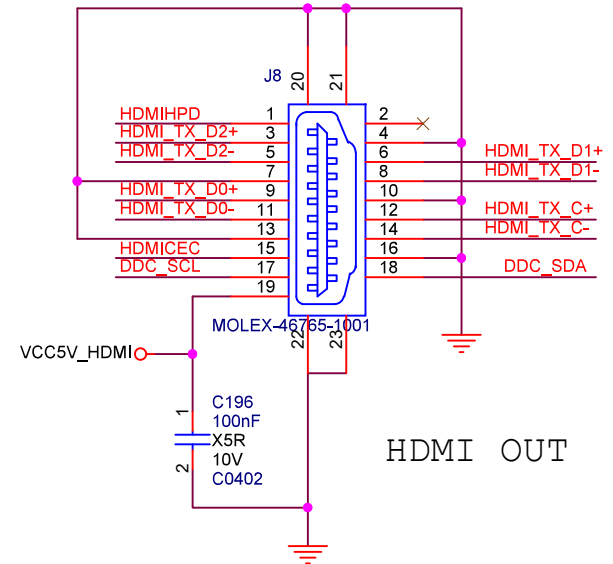
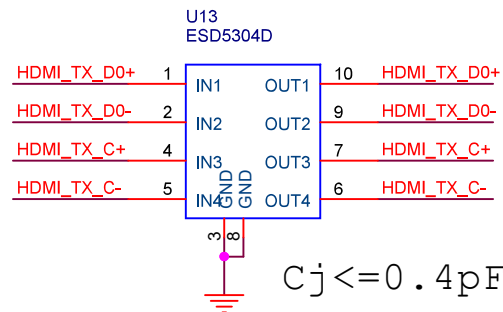
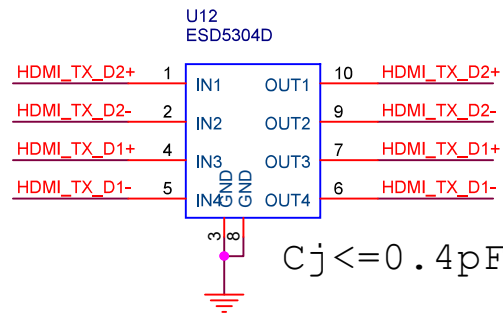
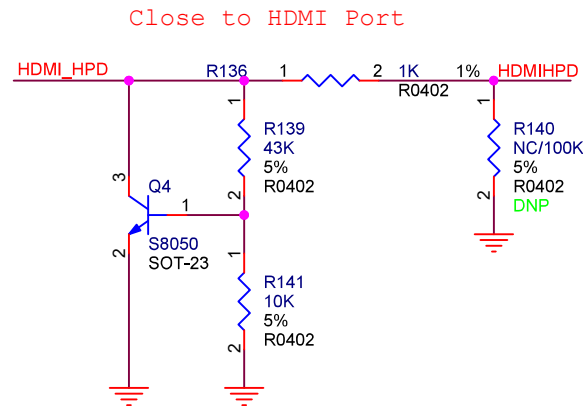


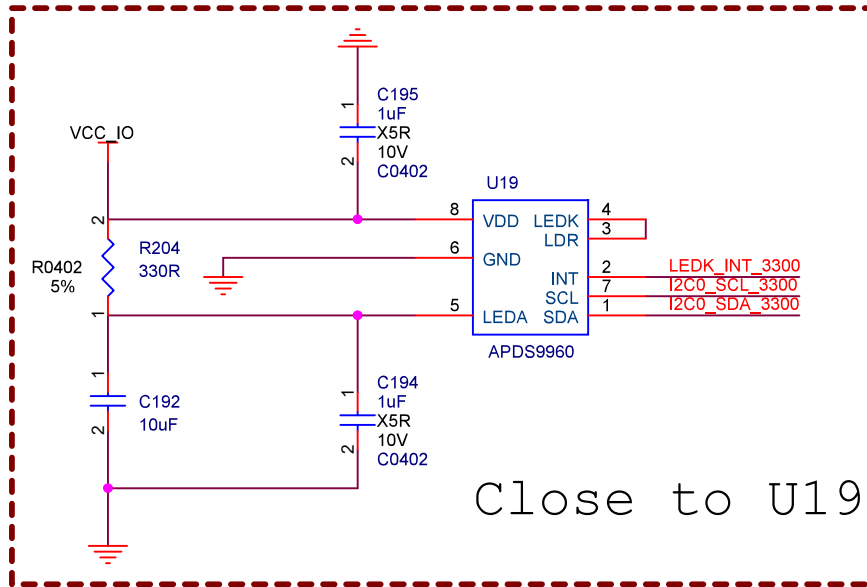
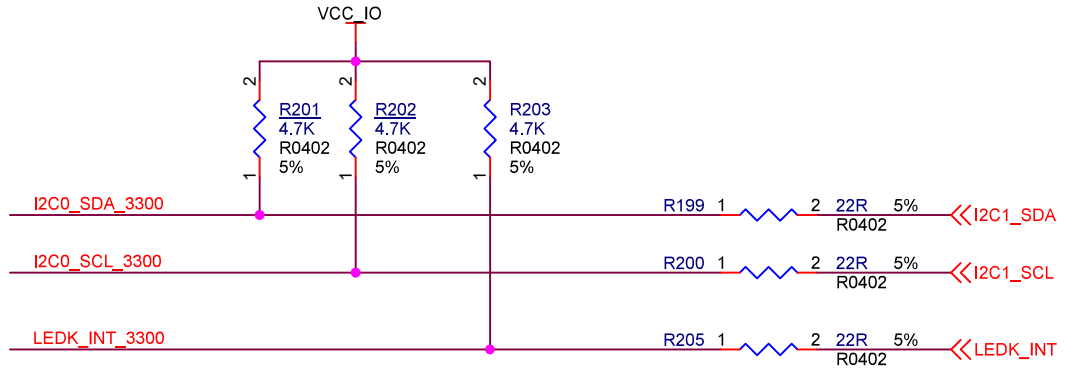
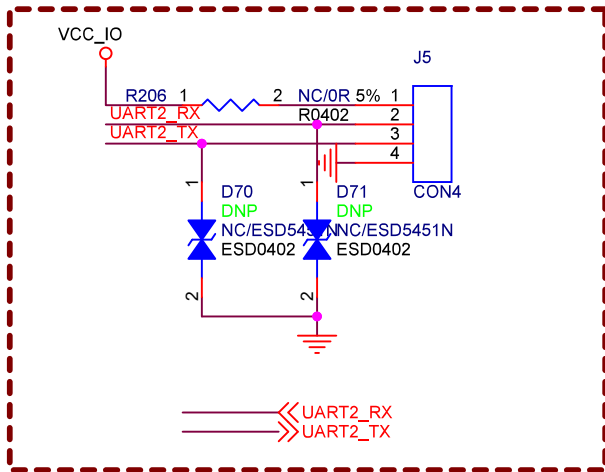
if you want to support of HDMI CEC, mounted
if not, not mounted




SoundAI Technology Co., Ltd

Design Name		RK3229_MicArray	
Size	Page Name	Rev	
A4	HDMI OUT Port		
Date:	Friday, August 04, 2017	Sheet	18 of 24

Debug UART2



			SoundAI Technology Co., Ltd		
			Design Name		
Size	Page Name				Rev
A4	Debug UART2				
Date:	Friday, August 04, 2017		Sheet	20	of 24

SD_D3 >>SDMMC_D3/JTAG_TMS
 SD_D2 >>SDMMC_D2/JTAG_TCK
 SD_D1 >>SDMMC_D1/UART2_RX
 SD_D0 >>SDMMC_D0/UART2_TX
 SD_CLK >>SDMMC_CLK
 SD_CMD >>SDMMC_CMD

SD_DET <<SDMMC_DET

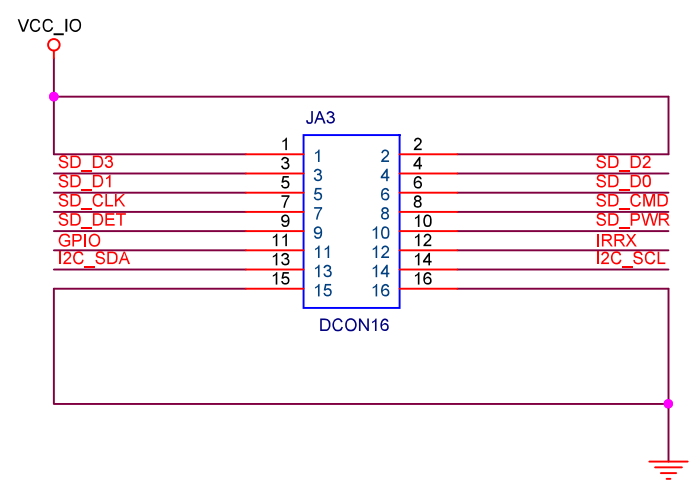
SD_PWR >>SDMMC_PWR


GPIO <<SUR_LED_EN2

IRRX >>IR_RX

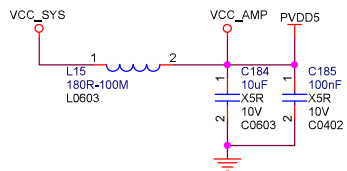
I2C_SDA <<I2C1_SDA

I2C_SCL <<I2C1_SCL

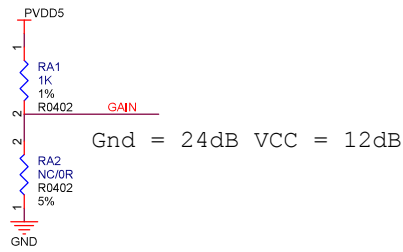


 瑞芯微电子		Fuzhou Rockchip Electronics	
Project:	RK3229_MicArray		
File:	TF/SD Card		
Date:	Friday, August 04, 2017	Rev:	V1.1
Designed by:	JND	Sheet:	21 of 99

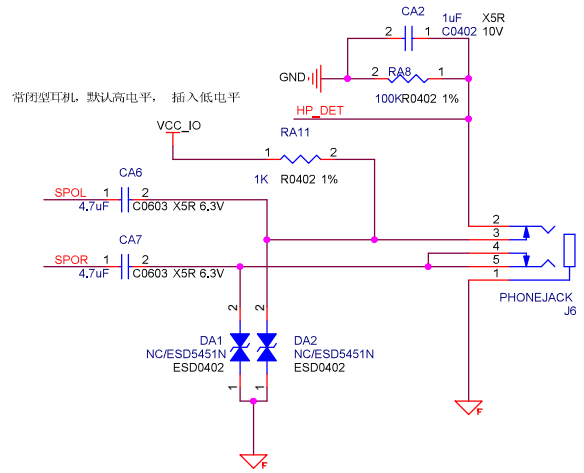
AMP



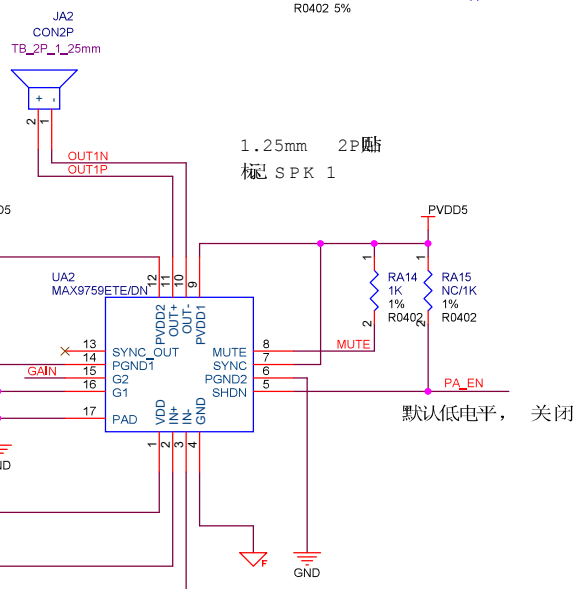
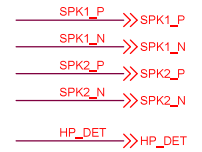
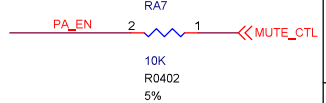
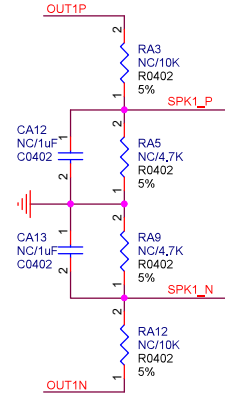
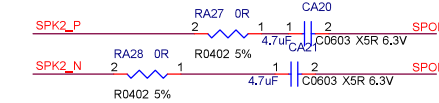
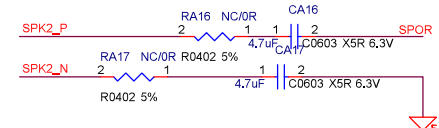
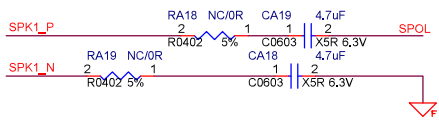
for Audio Power Amplifier



Notice the voltage should be suit to the ADC input parameters.



常闭型耳机，默认高电平，插入低电平



1.25mm 2P 插
极 SPK 1

默认低电平，关闭

