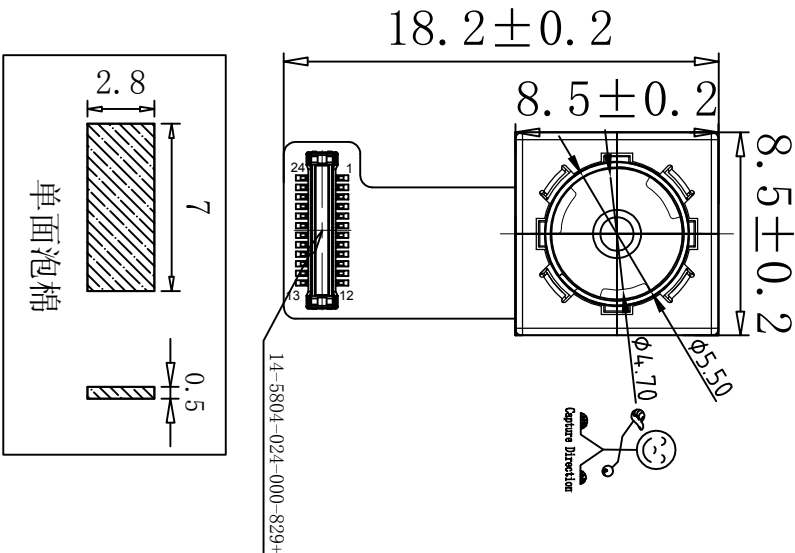


ROHS

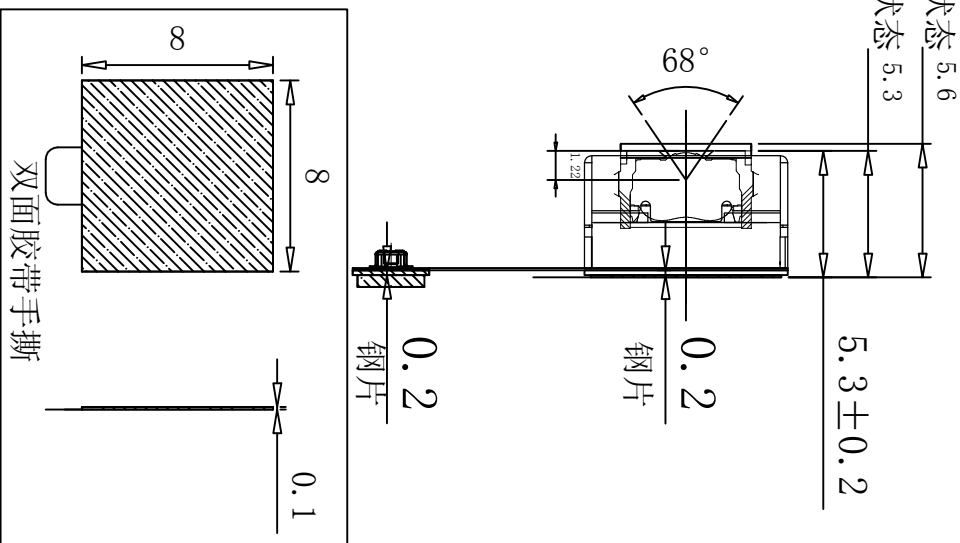
CONNECTOR
PIN DESCRIPTION

PIN NO.	SIGNAL
1	PDN
2	GND
3	RST
4	MCLK0
5	AVDD2V8
6	VCC2V8
7	GND
8	SCL
9	SDA
10	DVDD
11	GND
12	VCC1V8
13	GND
14	CLKP
15	CLKN
16	GND
17	D2P
18	D2N
19	GND
20	D1P
21	D1N
22	GND
23	D0P
24	D0N

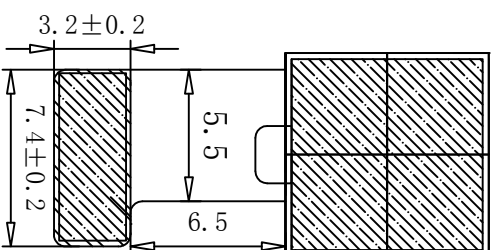
Top View



Side View



Bottom View



主要参数 (Module Specification)

焦距 (EFL)	3.57mm
光圈 (F.NO)	2.8 ± 5%
视场角 (View Angle)	68°
畸变 (Distortion)	<1%
最大图像圈 (Max Image Circle)	φ4.84mm
感光芯片 (Chip Type)	OV5648-PLCC
像素 (Array Size)	2592*1944
镜头类型 (Lens Size)	1/4inch
镜头型号 (Lens Size)	M6*0.35P
螺纹规格 (Barrel Thread)	M6*0.35P

深圳市创致恒鑫电子科技有限公司

ShenZhen Chuangzhihengxin Electronic Technology Co.,LTD

PREPARED	TITLE	QMS Camera Module
CHECKED	Customer P/N	
APPROVED	Part Name	

SCALE	1:1	PAGE	1 of 1	UNIT	MM
SIZE	A4	QTY	3	PROJ.	
更改	REV	DATE	DRAW	INC	
初稿	V1.0	2017.09.26			

创致恒鑫科技 ksepotony 甲

6 7 8