

# 3-Channel Fun LED Driver

## Description

SN3193 is a 3-channel fun LED driver which features two-dimensional auto breathing mode. It has One Shot Programming mode and PWM Control mode for RGB lighting effects. The maximum output current can be adjusted in 5 levels (5mA~42mA).

In PWM Control mode, the PWM duty cycle of each output can be independently programmed and controlled in 256 steps to simplify color mixing. In One Shot Programming mode, the timing characteristics for output current - current rising, holding, falling and off time, can be adjusted individually so that each output can independently maintain a pre-established pattern achieving mixing color breathing or a single color breathing without requiring any additional interface activity, thus saving valuable system resources.

SN3193 is available in DFN-10 (3mm × 3mm). It operates from 2.7V to 5.5V over the temperature range of -40°C to +85°C.

## Features

- One group RGB, single color LED breathing system-free pre-established pattern
- 3 independently controlled automatic and semiautomatic breathing system-free pre-established pattern
- I2C interface, automatic address increment function
- 3 independently controlled outputs of 256 PWM steps
- 2.7V to 5.5V supply voltage
- 5 levels programmable output current
- Over-temperature protection
- Operating temperature  $T_A = -40^{\circ}\text{C} \sim 85^{\circ}\text{C}$
- DFN-10 (3mm × 3mm) package

## Applications

- Mobile phones and other hand-held devices for LED display
- LED in home appliances

## Typical Application Circuit

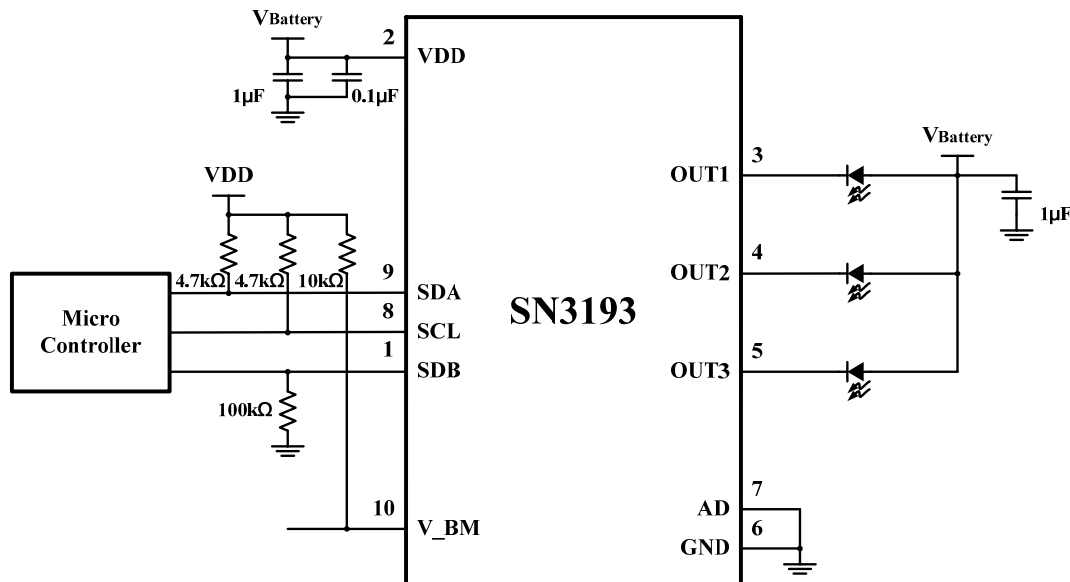
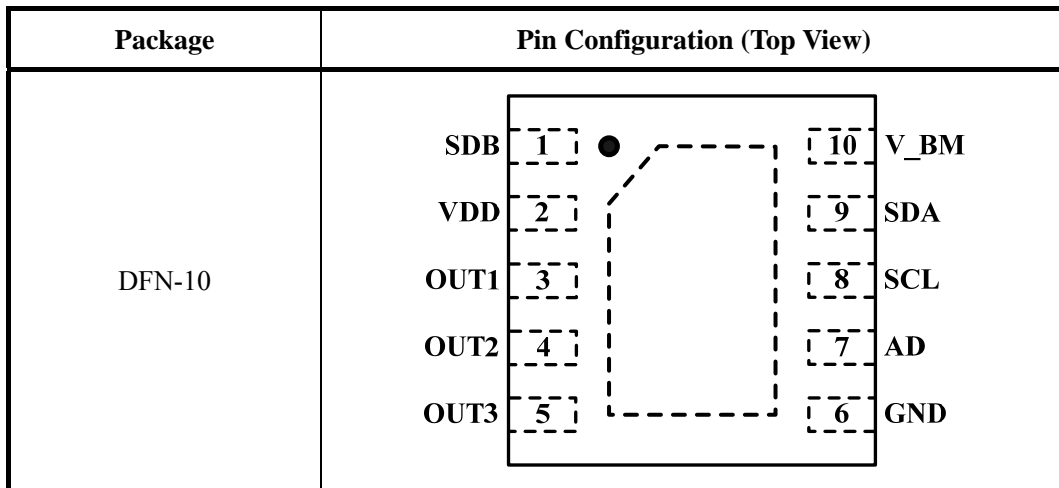


Figure 1 Typical Application Circuit

### Pin Configuration



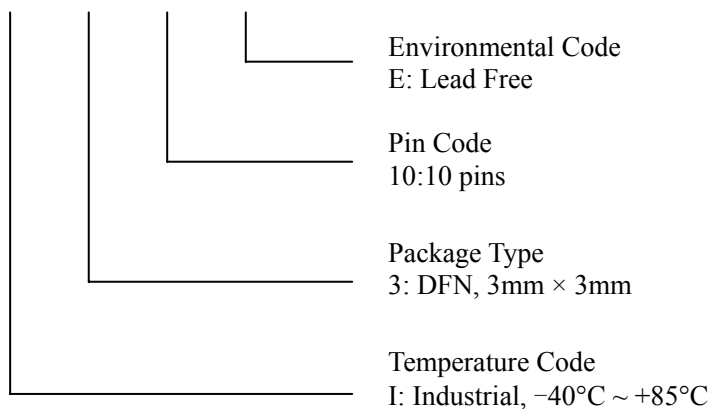
### Pin Description

No.	Pin	I/O	Description
1	SDB	I	Shutdown the chip when pulled to low.
2	VDD	-	Power supply.
3~5	OUT1~OUT3	O	Current source outputs.
6	GND	-	Ground.
7	AD	I	I2C address setting.
8	SCL	I	I2C serial clock.
9	SDA	I/O	I2C serial data.
10	V_BM	O	Breathing mark signal output.
	Thermal Pad	-	Connect to GND

### Ordering Information

Order Number	Package Type	QTY/Reel	Operating Temperature Range
SN3193I310E	DFN-10	2500	-40°C ~ +85°C

SN3193 □ □ □ □



## Absolute Maximum Ratings

Supply voltage, $V_{DD}$	-0.3V ~ 6.0V
Voltage at input pin	-0.3V ~ $V_{DD} + 0.3V$
GND terminal current	300mA
Operating temperature range	-40°C ~ +85°C
Storage temperature range	-55°C ~ +150°C
Thermal resistance, $\theta_{JA}$ (DFN-10)	45°C/W
ESD HBM	4kV

Stresses beyond those listed under “Absolute Maximum Ratings” may cause permanent damage to the device. These are stress ratings only and functional operation of the device at these or any other condition beyond those indicated in the operational sections of the specifications is not implied. Exposure to absolute maximum rating conditions for extended periods may affect device reliability.

## Electrical Characteristics

$T_A = -40^\circ\text{C} \sim +85^\circ\text{C}$ ,  $V_{DD} = 5V$ , unless otherwise noted. Typical value are  $T_A = 25^\circ\text{C}$ .

Symbol	Parameter	Condition	Min.	Typ.	Max.	Unit
$V_{DD}$	Supply voltage		2.7		5.5	V
$I_{DD}$	Quiescent power supply current	$V_{SDB} = V_{DD}$		0.8		mA
$I_{SD}$	Shutdown current	$V_{SDB} = 0V$		1		$\mu\text{A}$
		$V_{SDB} = V_{DD}$ , software shutdown		1		
$I_{OUT}$	Output current	PWM Control mode, $V_{DS} = 0.5V$ PWM Register(04h~06h) = 0xFF Current Register(03h) = 0x00		42 (Note1)		mA
$V_{HR}$	Current sink headroom voltage	$I_{OUT} = 42\text{mA}$		500		mV
<b>Logic Electrical Characteristics (SDA, SCL, SDB, AD)</b>						
$V_{IL}$	Logic “0” input voltage	$V_{DD} = 3.0V$			0.4	V
$V_{IH}$	Logic “1” input voltage	$V_{DD} = 5.5V$	1.4			V
$I_{IL}$	Logic “0” input current			5 (Note 2)		nA
$I_{IH}$	Logic “1” input current			5 (Note 2)		nA

**Digital Input Switching Characteristics** (Note 3)

Symbol	Parameter	Condition	Min.	Typ.	Max.	Unit
$f_{SCL}$	Serial-Clock frequency				400	kHz
$t_{BUF}$	Bus free time between a STOP and a START condition		1.3			$\mu$ s
$t_{HD, STA}$	Hold time (repeated) START condition		0.6			$\mu$ s
$t_{SU, STA}$	Repeated START condition setup time		0.6			$\mu$ s
$t_{SU, STO}$	STOP condition setup time		0.6			$\mu$ s
$t_{HD, DAT}$	Data hold time				0.9	$\mu$ s
$t_{SU, DAT}$	Data setup time		100			ns
$t_{LOW}$	SCL clock low period		1.3			$\mu$ s
$t_{HIGH}$	SCL clock high period		0.7			$\mu$ s
$t_R$	Rise time of both SDA and SCL signals, receiving	(Note 4)		20+0.1Cb	300	ns
$t_F$	Fall time of both SDA and SCL signals, receiving	(Note 4)		20+0.1Cb	300	ns

Note 1:  $I_{OUT}$  represents the average output current of each individual output. See PWM Register, Table 7.

Note 2: All LEDs are on.

Note 3: Guaranteed by design.

Note 4:  $C_b$  = total capacitance of one bus line in pF.  $I_{SINK} \leq 6mA$ .  $t_R$  and  $t_F$  measured between  $0.3 \times V_{DD}$  and  $0.7 \times V_{DD}$ .

## Detailed Description

### I2C Interface

The SN3193 uses a serial bus, which conforms to the I2C protocol, to control the chip's functions with two wires: SCL and SDA. The SN3193 has a 7-bit slave address (A7:A1), followed by the R/W bit, A0. Since SN3193 only supports write operations, A0 must always be "0". The value of bits A1 and A2 are decided by the connection of the AD pin.

The complete slave address is:

**Table 1 Slave Address (Write only):**

Bit	A7:A3	A2:A1	A0
Value	11010	AD	0

- AD connected to GND, AD = 00;
- AD connected to VDD, AD = 11;
- AD connected to SCL, AD = 01;
- AD connected to SDA, AD = 10;

The SCL line is uni-directional. The SDA line is bi-directional (open-collector) with a pull-up resistor (typically 4.7kΩ). The maximum clock frequency specified by the I2C standard is 400kHz. In this discussion, the master is the microcontroller and the slave is the SN3193.

The timing diagram for the I2C is shown in Figure 2. The SDA is latched in on the stable high level of the SCL. When there is no interface activity, the SDA line should be held high.

The "START" signal is generated by lowering the SDA signal while the SCL signal is high. The start signal will alert all devices attached to the I2C bus to check the incoming address against their own chip address.

The 8-bit chip address is sent next, most significant bit first. Each address bit must be stable while the SCL level is high.

After the last bit of the chip address is sent, the master checks for the SN3193's acknowledge. The master releases the SDA line high (through a pull-up resistor). Then the master sends an SCL pulse. If the SN3193 has received the address correctly, then it holds the SDA line low during the SCL pulse. If the SDA line is not low, then the master should send a "STOP" signal (discussed later) and abort the transfer.

Following acknowledge of SN3193, the register address byte is sent, most significant bit first. SN3193 must generate another acknowledge indicating that the register address has been received.

Then 8-bit of data byte are sent next, most significant bit first. Each data bit should be valid while the SCL level is stable high. After the data byte is sent, the SN3193 must generate another acknowledge to indicate that the data was received.

The "STOP" signal ends the transfer. To signal "STOP", the SDA signal goes high while the SCL signal is high.

### Address Auto Increment

To write multiple bytes of data into SN3193, load the address of the data register that the first data byte is intended for. During the SN3193 acknowledge of receiving the data byte, the internal address pointer will increment by one. The next data byte sent to SN3193 will be placed in the new address, and so on (Figure 5).

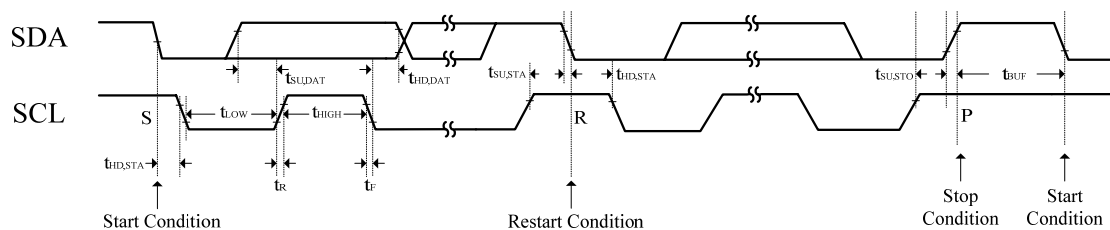


Figure 2 Interface Timing

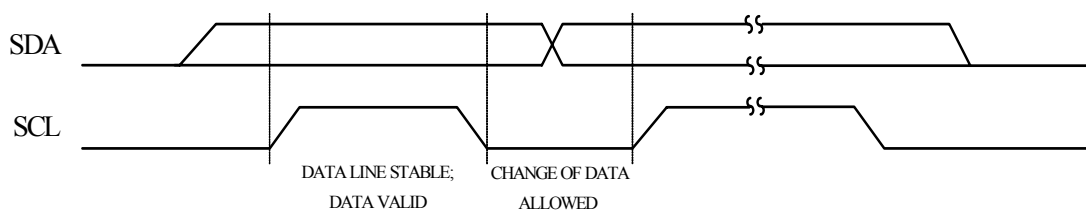
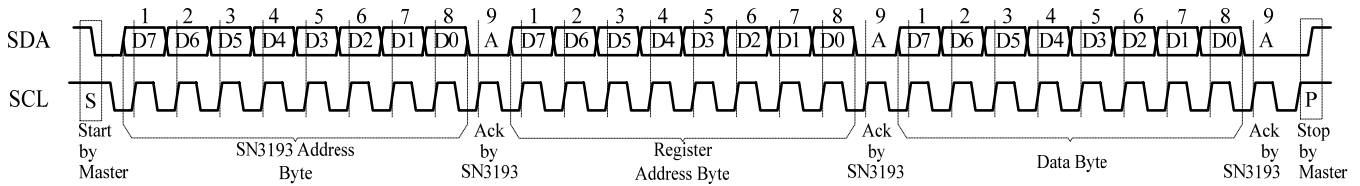
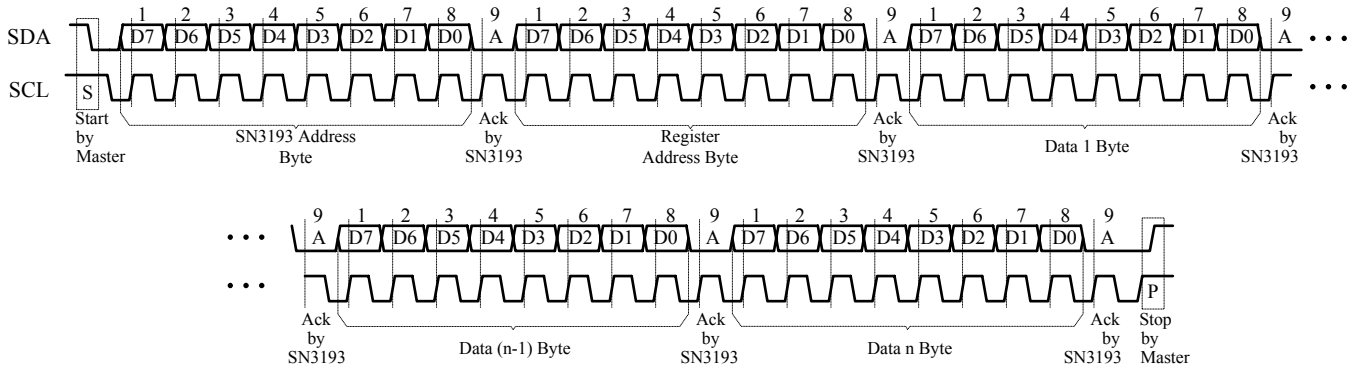


Figure 3 Bit Transfer



**Figure 4 Writing to SN3193(Typical)**



**Figure 5 Writing to SN3193(Automatic Address Increment)**

## Registers Definitions

**Table 2 Register Function**

Address	Name	Function	Table	Default
00h	Shutdown Register	Set software shutdown mode	3	0000 0001
01h	Breathing Control Register	Set the breathing function	4	0000 0000
02h	LED Mode Register	Set operation mode	5	
03h	Current Setting Register	Set output current	6	
04h~06h	PWM Register	3 channels PWM duty cycle data registers	7	
07h	Data Update Register	Load PWM Registers and LED Control Register' data	-	xxxx xxxx
0Ah ~ 0Ch	T0 Register	Set the T0 time	8	0000 0000
10h ~ 12h	T1&T2 Register	Set the T1&T2 time	9	
16h ~18h	T3&T4 Register	Set the T3&T4 time	10	
1Ch	Time Update Register	Load time registers' data	-	xxxx xxxx
1Dh	LED Control Register	OUT1~ OUT3 enable bit	11	0000 0111
2Fh	Reset Register	Reset all registers to default value	-	xxxx xxxx

**Table 3 00h Shutdown Register**

Bit	D7:D6	D5	D4:D1	D0
Name	-	EN	-	SSD
Default	00	0	0000	1

The Shutdown Register sets software shutdown mode of SN3193.

**EN** Channel Control  
 0 All channel disable  
 1 All channel enable

**SSD** Software Shutdown Enable  
 0 Software shutdown mode  
 1 Normal operation

**Table 4 01h Breathing Control Register**

Bit	D7:D6	D5	D4	D3	D2	D1:D0
Name	-	RM	HT	-	BME	CSS
Default	00	0	0	0	0	00

The Breathing Control Register sets the breathing function.

**RM** Ramping Mode Enable

- 0 Disable
- 1 Enable

**HT** Hold Time Selection

- 0 Hold on T2
- 1 Hold on T4

**BME** Breathing Mark Enable

- 0 Disable
- 1 Enable

**CSS** Channel Selection

- 00 OUT1
- 01 OUT2
- 10 OUT3

**Table 5 02h LED Mode Register**

Bit	D7:D6	D5	D4:D0
Name	-	RGB	-
Default	00	0	00000

The LED Mode Register sets operation mode of SN3193.

**RGBx** RGB Mode Selection

- 0 PWM Control Mode
- 1 One Shot Programming Mode

**Table 6 03h Current Setting Register**

Bit	D7:D5	D4:D2	D1:D0
Name	-	CS	-
Default	000	000	00

The Current Setting Register stores the maximum current setting,  $I_{MAX}$ , for all of the LED output channels.

**CS** Current Setting

- 000 42mA
- 001 10mA
- 010 5mA
- 011 30mA
- 1xx 17.5mA

**Table 7 04h~06h PWM Register(OUT1~OUT3)**

Bit	D7:D0
Name	PWM
Default	0000 0000

The value in the PWM Registers modulate the RGB LEDs in 256 steps.

The value of the PWM Registers decide the average output current of OUT1~OUT9. The average output current may be computed using the Formula (1):

$$I_{OUT} = \frac{I_{MAX}}{256} \cdot \sum_{n=0}^7 D[n] * 2^n \quad (1)$$

Where D[n] stands for the individual bit value, 1 or 0, in location n.

For example: if D7:D0 = 10110101,

$$I_{OUT} = I_{MAX} (2^0 + 2^2 + 2^4 + 2^5 + 2^7) / 256$$

$I_{MAX}$  is set by Current Setting Register.

**07h PWM Update Register**

The data sent to the PWM Registers and the LED Control Registers will be stored in temporary registers. A write operation of any 8-bit value to the Update Register is required to update the registers (04h~06h, 1Dh).

**Table 8 0Ah~0Ch T0 Register (OUT1~OUT3)**

Bit	D7:D4	D3:D0
Name	T0	-
Default	0000	0000

The T0 Registers set the T0 time in One Shot Programming mode.

**T0** T0 Setting

- 0000 0s
- 0001 0.13s
- 0010 0.26s
- 0011 0.52s
- 0100 1.04s
- 0101 2.08s
- 0110 4.16s
- 0111 8.32s
- 1000 16.64s
- 1001 33.28s
- 1010 66.56s

**Table 9 10h~12h T1&T2 Register (OUT1~OUT3)**

Bit	D7:D5	D4:D1	D0
Name	T1	T2	–
Default	000	0000	0

The T1&T2 Registers set the T1&T2 time in One Shot Programming mode.

**T1** T1 Setting

000	0.13s
001	0.26s
010	0.52s
011	1.04s
100	2.08s
101	4.16s
110	8.32s
111	16.64s

**T2** T2 Setting

0000	0s
0001	0.13s
0010	0.26s
0011	0.52s
0100	1.04s
0101	2.08s
0110	4.16s
0111	8.32s
1000	16.64s

**Table 10 16h~18h T3&T4 Register (OUT1~OUT3)**

Bit	D7:D5	D4:D1	D0
Name	T3	T4	–
Default	000	0000	0

The T3&T4 Registers set the T3&T4 time in One Shot Programming mode.

**T3** T3 Setting

000	0.13s
001	0.26s
010	0.52s
011	1.04s
100	2.08s
101	4.16s
110	8.32s
111	16.64s

**T4** T4 Setting

0000	0s
0001	0.13s
0010	0.26s
0011	0.52s
0100	1.04s
0101	2.08s
0110	4.16s
0111	8.32s
1000	16.64s
1001	33.28s
1010	66.56s

**1Ch Time Update Register**

The data sent to the PWM Registers and the LED Control Register will be stored in temporary registers. A write operation of any 8-bit value to the Update Register is required to update the registers (0Ah~0Ch, 10h~12h, 16h~18h).

**Table 11 1Dh LED Control Register (OUT1~OUT3)**

Bit	D7:D3	D2:D0
Name	–	OUT3:OUT1
Default	00000	111

The LED Control Registers store the on or off state of each channel LED.

**OUTx** LED State

0	LED off
1	LED on

**2Fh Reset Register**

Once user writes any 8-bit data to the Reset Register, SN3193 will reset all registers to their default value. On initial power-up, the SN3193 registers are reset to their default values for a blank display.



## Typical Application

### General Description

SN3193 is a 3-channel LED driver with two-dimensional auto breathing and PWM Control mode. It can drive three individual LEDs or one group of RGB.

### PWM Control

By setting the RGBx bits of the LED Mode Register (03h) to “0”, the SN3193 will operate in PWM Control mode. The PWM Registers (04h~06h) can modulate LED brightness of 3 channels with 256 steps. For example, if the data in PWM Register is “0000 0100”, then the PWM is the fourth step, with a duty cycle of 4/256.

In PWM control mode, a new value must be written to the PWM registers to change the output PWM duty cycle. Writing new data continuously to the registers can modulate the brightness of the LEDs to achieve a breathing effect, blinking, or any other effects that the user defines.

### RGB Breathing Control with Auto Color Changing

By setting the RGBx bits of the LED Mode Register (03h) to “1”, the SN3193 will operate in One Shot Programming mode. In this mode, the RGB intensity is automatically modulated in a breathing cycle, independently controlled by T0~T4. T0 is an offset time period which runs only once at the start of the cycle. The full cycle is T1 to T4 (Figure 6). Setting different T0~T4 can achieve RGB breathing with auto color changing. The maximum intensity of each RGB is adjusted independently by the PWM Registers (04h~06h).

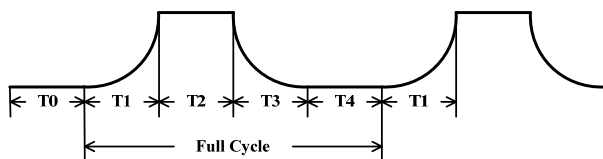


Figure 6 Breathing Timing

### RGB Auto Breathing Control with Color Setting

SN3193 can pre-establish pattern achieving mixing color breathing. There is one group RGB. The RGB consists of three channels. Every channel has an 8-bit PWM data register. The color can be set by the PWM data register. By adjusting the individual intensity of the red, green and blue LED, different colors are perceived. For example, the three PWM data: 20h, 80h, C8h, will determine one particular color.

After setting the color, T0~T4 time register will be set to control the LED breathing panel. And T0~T4 time should

be same for each of the RGB LEDs, otherwise the pre-established color will change.

### Semiautomatic Breathing

By setting the RGBx bits of the LED Mode Register (03h) to “1” and the RM bit of the Breathing Control Register (01h) to “1”, the ramping function is enabled. HT is the time select bit. When HT bit is set to “0”, T2 will be held forever, and the LED will remain at the programmed maximum intensity. When HT bit is set to “1”, T3 will continue and T4 will be held, causing the LED to complete one breathing cycle and then remain off.

### Breathing Mark Function

By setting the BME bit of the Breathing Control Register (01h) to “1”, the breathing mark function is enabled. V<sub>BM</sub> is an output pin. The breathing mark function is useful as a signal to notify the MCU when to update the color data. At the end of time period T1, V<sub>BM</sub> will induce a falling edge and hold logic low, so the new data can be sent by MCU at this time. At the end of T3, V<sub>BM</sub> will induce a rising edge and the MCU can send an update command to update all data simultaneously (Figure 7). The marking channel (OUT1~OUT3) is selected by the CSS bits of the Breathing Control Register (01h).

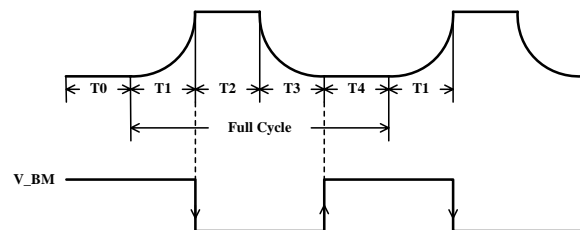


Figure 7 V<sub>BM</sub> Signal

### Shutdown Mode

Shutdown mode can either be used as a means of reducing power consumption or generating a flashing display (repeatedly entering and leaving shutdown mode). During shutdown mode all registers retain their data.

#### Software Shutdown

By setting SSD bit of the Shutdown Register (00h) to “0”, the SN3193 will operate in software shutdown mode, wherein they consume only 1 $\mu$ A (typ.) current. When the SN3193 is in software shutdown mode, all current sources are switched off.

#### Hardware Shutdown

The chip enters hardware shutdown mode when the SDB pin is pulled low, wherein they consume only 1 $\mu$ A (typ.) current.

Classification Reflow Profiles

Profile Feature	Pb-Free Assembly
<b>Preheat &amp; Soak</b>	
Temperature min (T <sub>smin</sub> )	150°C
Temperature max (T <sub>smax</sub> )	200°C
Time (T <sub>smin</sub> to T <sub>smax</sub> ) (t <sub>s</sub> )	60-120 seconds
Average ramp-up rate (T <sub>smax</sub> to T <sub>p</sub> )	3°C/second max.
Liquidous temperature (T <sub>L</sub> )	217°C
Time at liquidous (t <sub>L</sub> )	60-150 seconds
Peak package body temperature (T <sub>p</sub> )*	Max 260°C
Time (t <sub>p</sub> )** within 5°C of the specified classification temperature (T <sub>c</sub> )	Max 30 seconds
Average ramp-down rate (T <sub>p</sub> to T <sub>smax</sub> )	6°C/second max.
Time 25°C to peak temperature	8 minutes max.

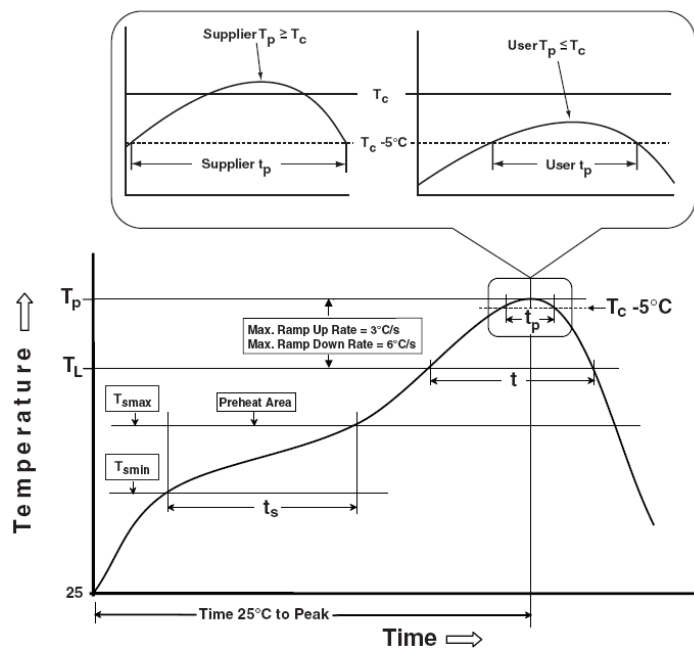
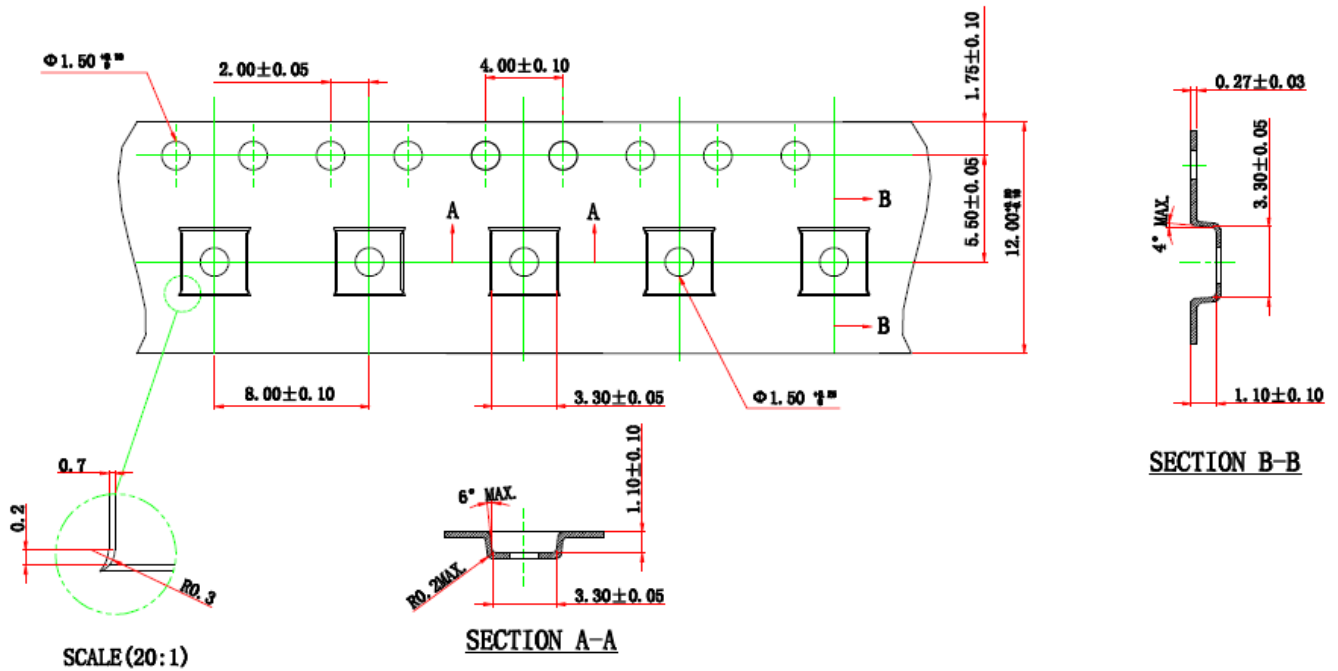


Figure 9 Classification Profile

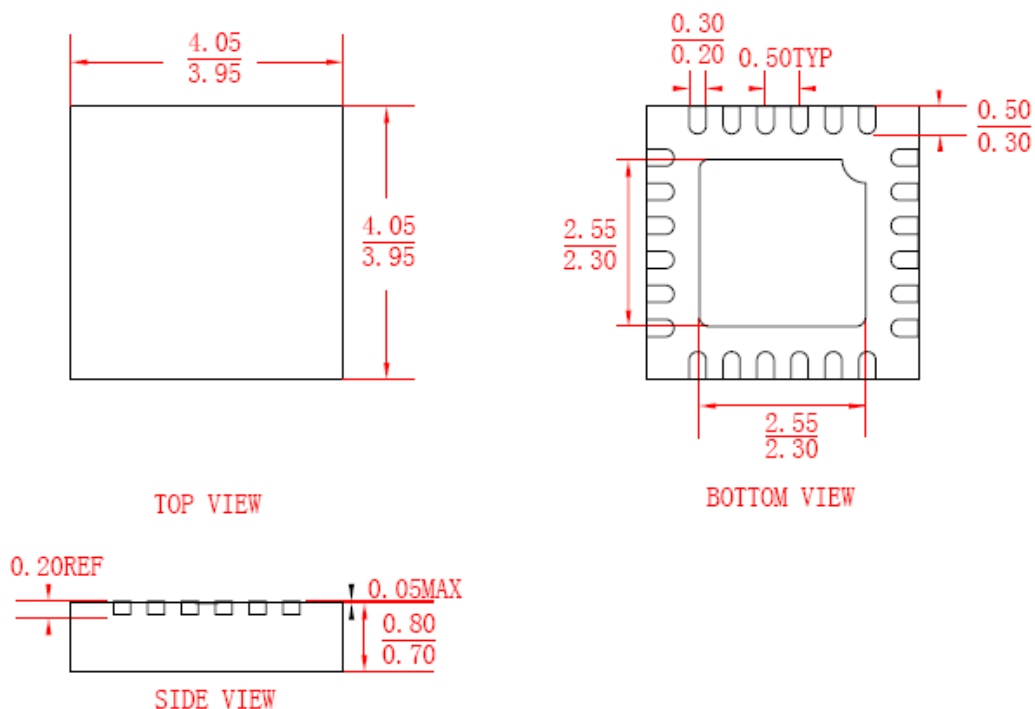
Tape and Reel Information



- NOTES: [技术要求]:**
1. CARRIER TAPE COLOR: BLACK [载带颜色为黑色]
  2. COVER TAPE WIDTH: 9.50±0.10 [覆盖9.5mm宽载带]
  3. COVER TAPE COLOR: TRANSPARENT [盖带颜色无色透明]
  4. SURFACE ANTI-STATIC COATED 10<sup>4</sup>~10<sup>11</sup> OHMS/SQ.  
[单位面积表面阻抗 10<sup>4</sup>~10<sup>11</sup> Ω/□]
  5. 10 SPROCKET HOLE PITCH CUMULATIVE TOLERANCE ±0.20MAX.  
[10个标准定位孔间距累积公差0.20MAX.]
  6. CAMBER NOT TO EXCEED 1 MM IN 100 MM [载带直线弯曲度: ≤1mm/100mm.]
  7. MOLD# WBFSP(3×3) [载带规格WBFSP (3×3)]
  8. ALL DIMS IN mm. [所有单位为mm]
  9. BAN TO USE THE ENVIRONMENT-RELATED SUBSANCES OF JICET PRESCRIBING.  
[禁止使用长电科技规定的一级环境管理物质]
  10. THE DIRECTION OF VIEW: [视图方向:

## Package Information

## DFN-10

**IMPORTANT NOTICE**

SI-EN Technology cannot assume responsibility for use of any circuitry other than circuitry entirely embodied in a SI-EN Technology product. SI-EN Technology reserves the right to make corrections, modifications, enhancements, improvements, and other changes to its specifications, products and services at any time and to discontinue any product or service without notice. Customers should obtain the latest relevant information before placing orders and should verify that such information is current and complete.